

TANCO MIXER-FEEDER
OPERATORS HANDBOOK
AND
PARTS LIST
WI65-M1096

TANCO MIXER-FEEDER MAIN ASSEMBLY

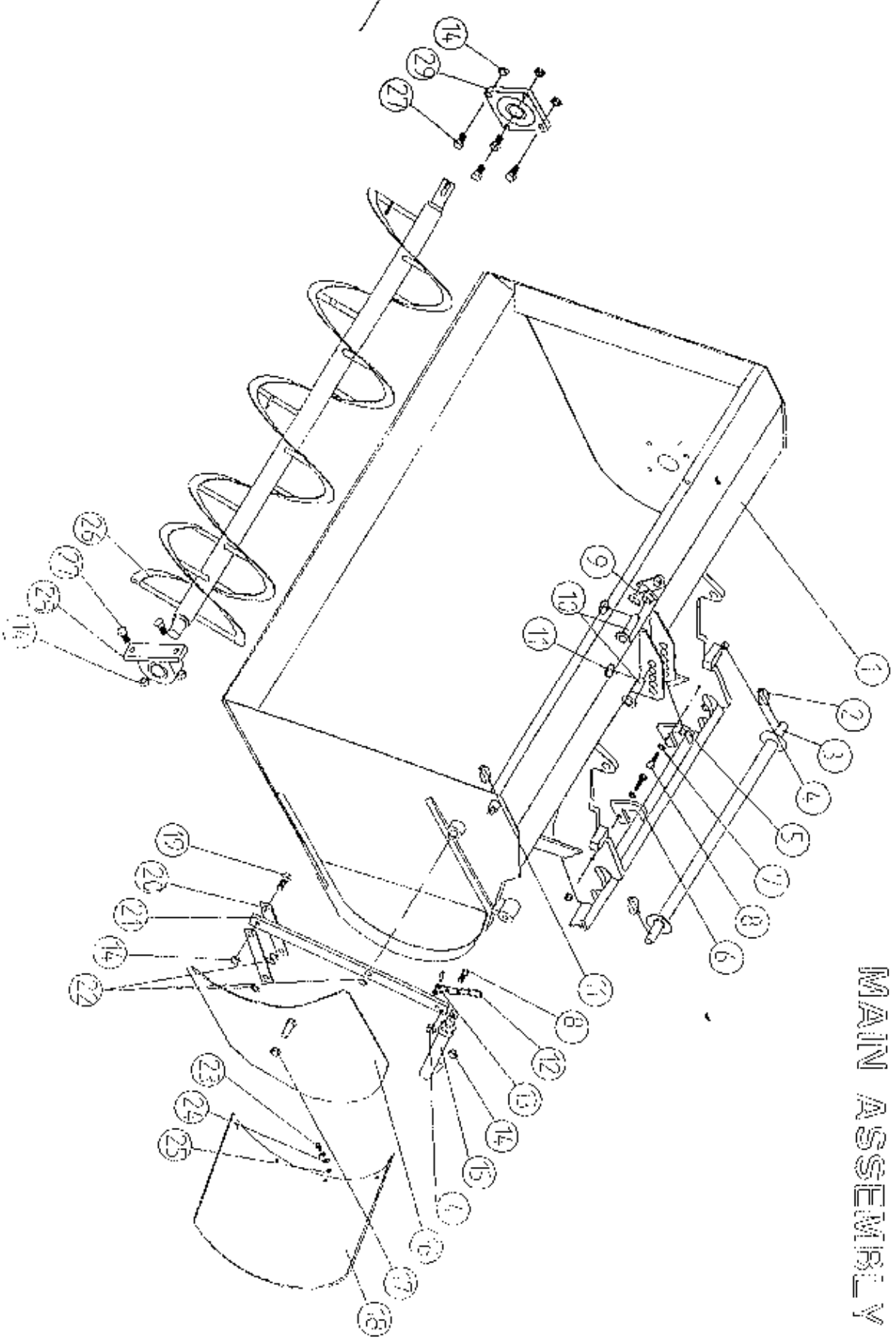


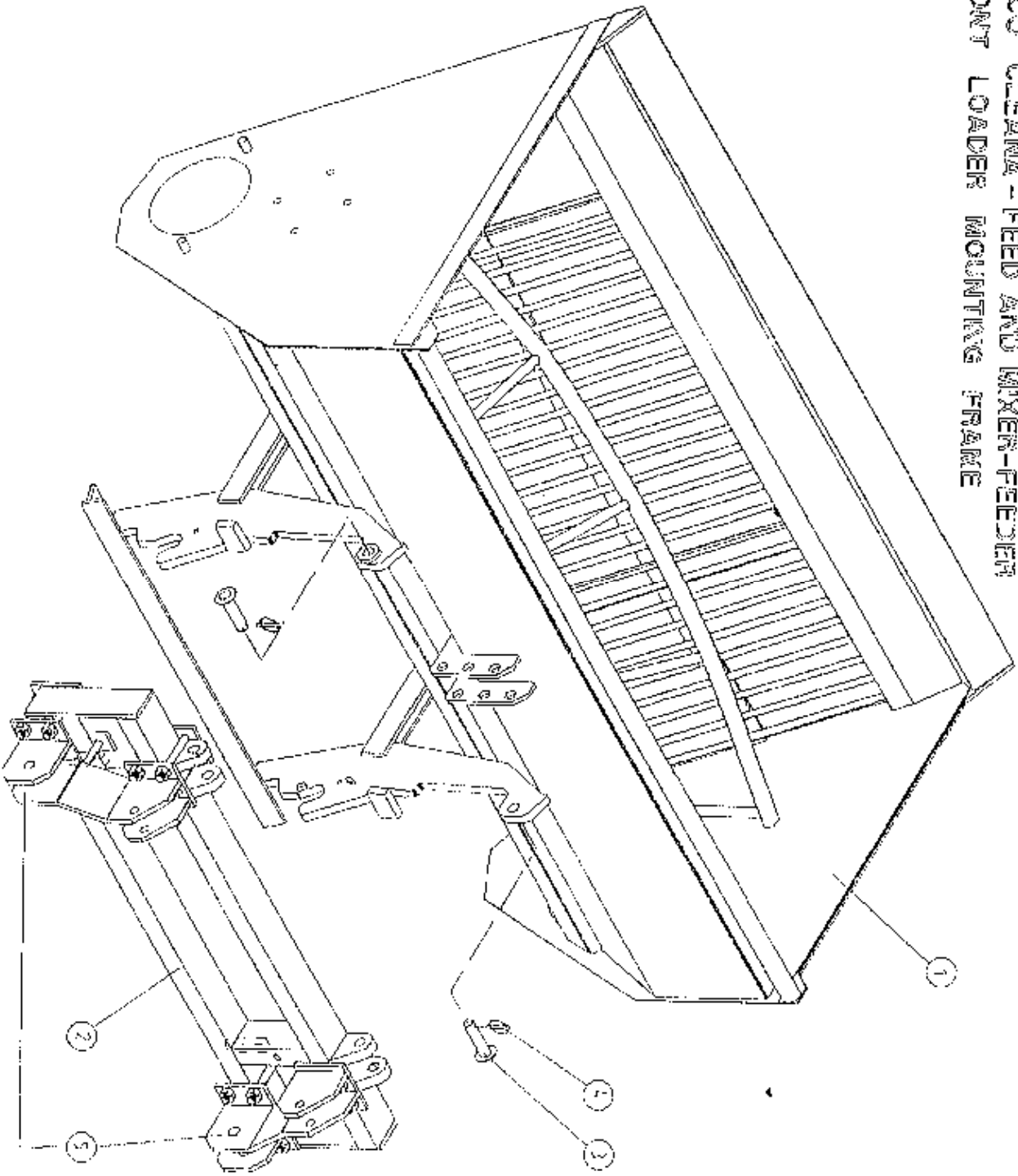
FIGURE 1: MAIN ASSEMBLY

**TANCO MEAL MIXER
MAIN ASSEMBLY
PARTS LIST**

WI65-MAN2

ITEM NO:	DESCRIPTION	QTY	PART NO
1	MEAL MIXER FRAME	1	WI65-MF
2	7/16" LINCH PIN	2	Z03-22-06
3	PICK UP BAR	1	WR59-QPU
4	M12 LOCKNUT	2	Z23-12
5	LATCH ASSY L.H.S	1	WI65-QAHL
6	LATCH ASSY R.H.S	1	WI65-QAHR
7	12mm FLAT WASHER	2	Z10-02-12
8	M12 X 50 HEX SET	2	Z26-086S
9	LINK ASSY	1	WI60-LA
10	TOP LINK PIN	2	Z03-03-54
11	6mm LINCH PIN	2	Z03-22-03
12	DOOR CHAIN	1	WI65-046
13	3/8" D SHACKLE	1	Z38-03
14	M16 LOCKNUT	7	Z23-16
15	DOOR RAM	1	Z01-01-AW25
16	DOOR ASSY	1	WI65-DA
17	M20 LOCKNUT	2	Z23-20
18	CHUTE	1	WI65-047
19	M20 X 50 HEX SET	1	Z26-086S
20	DOOR LINK	2	WI65-036
21	DOOR RAM ASSY	1	WI65-DAA
22	20mm FLAT WASHER	6	Z11-02-20
23	M8 X 20 HEX SET	4	Z26-039S
24	8mm MUD WASHER	4	Z11-02-081
25	M8 LOCKNUT	4	Z23-08
26	AGITATOR ASSY	1	WI65-AA
27	M16 X 50 HEX SET	6	Z26-124S
28	PILLOW BLOCK BEARING 2" UCP 211-32	1	Z06-49P
29	FLANGE BEARING 2" UCF 211E-32	1	Z06-49

TAYCO CLEANER - FEED AND MIXER-FEEDER
FRONT LOADER MOUNTING FRAME



TANCO CLEANA-FEED AND MEAL MIXER

WI65-MAN5

FRONT MOUNTING FRAME

PARTS LIST

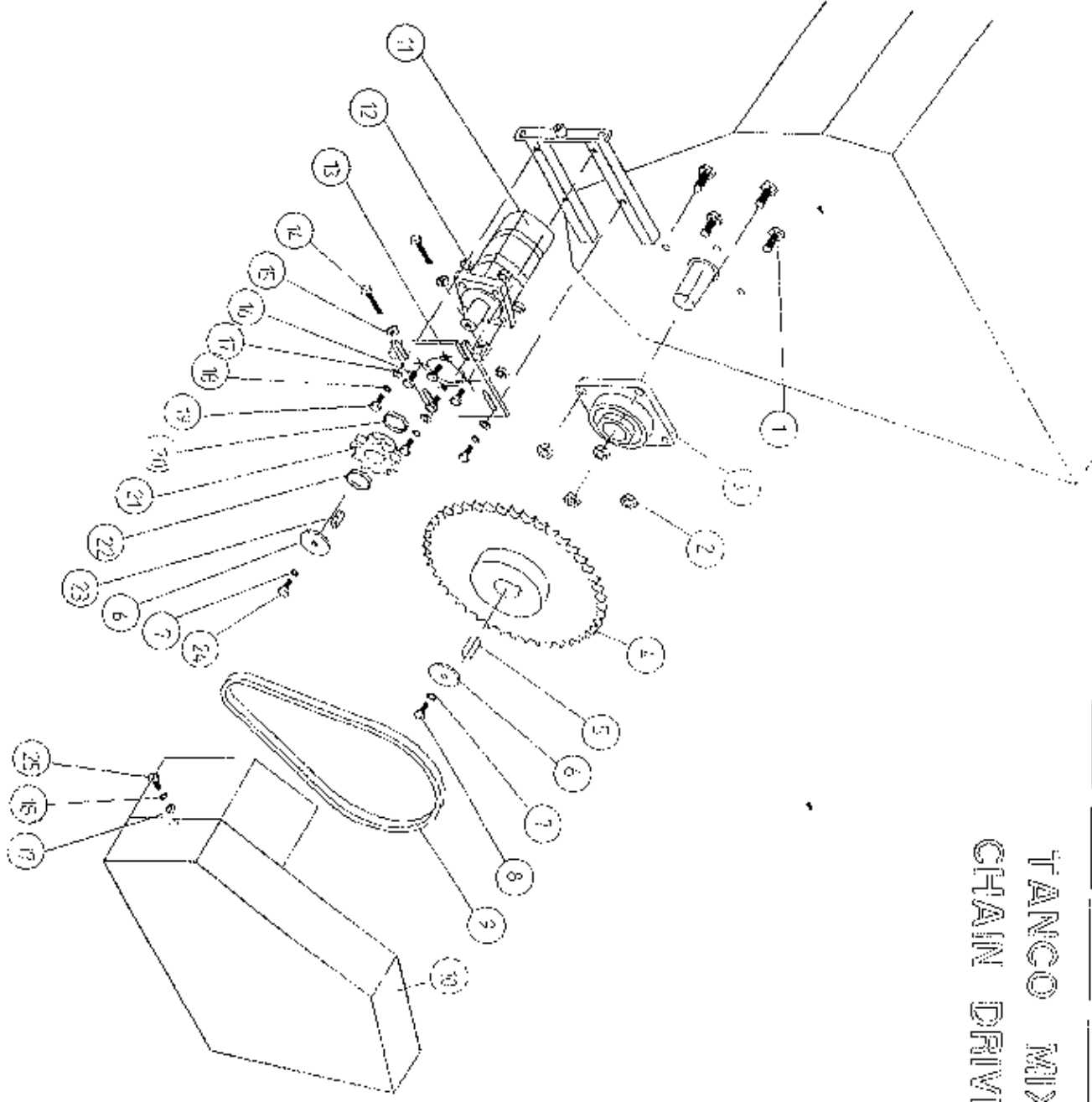
ITEM NO	DESCRIPTION	QTY	PART NO
1	CLEANAFEED (COMPLETE)	1	WI60
2	UG ATTACHMENT FRAME	1	WI60-UGAF
3	PINS	2	Z03-03-50
4	6mm LINCH PINS	2	Z03-22-03
5	UG FRONT MOUNTING BRACKETS	1SET	SEE PAGE 19

**TANCO MEAL MIXER
HYDRAULIC COMPONENT ASSY
PARTS LIST**

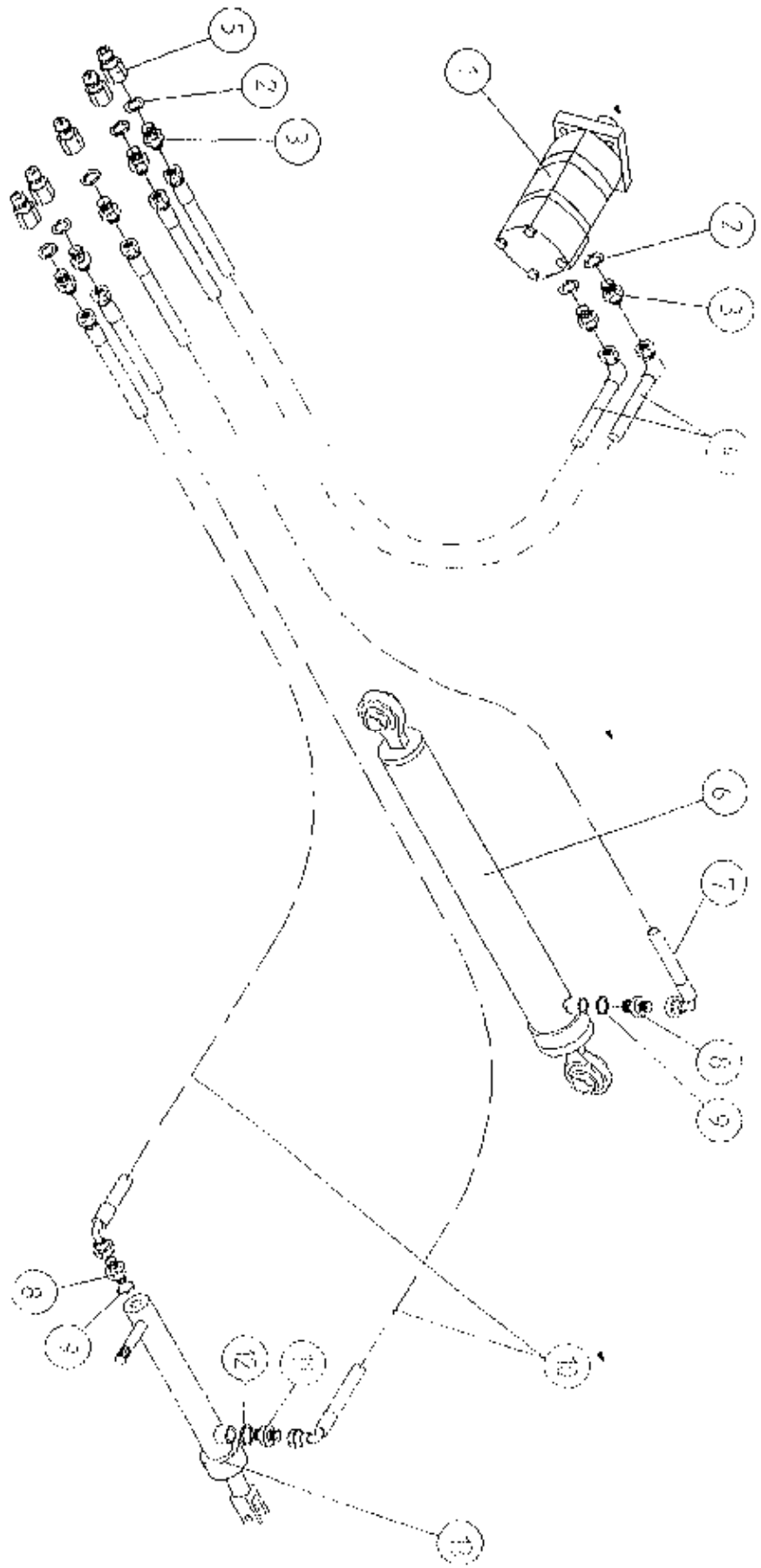
WI65-MAN1

ITEM NO	DESCRIPTION	QTY	PART NO
1	HYDRAULIC MOTOR 304cc	1	Z01-02-RF200
2	1/2" DOWTY WASHER	7	Z01-04-03
3	1/2" X 3/8" MALE/MALE ADAPTOR	5	Z01-06-06-08
4	4" ST/90 3/8" HOSE	2	Z38-R2-84-S9
5	1/2" MALE Q/R COUPLINGS	5	Z01-15-081
6	TOP LINK	1	Z01-01-TL29S
7	60" ST/90 3/8" HOSE	1	Z38-R2-60-S9
8	3/8" X 3/8" MALE/MALE ADAPTOR	2	Z01-06-06-06
9	3/8" DOWTY WASHER	2	Z01-04-02
10	96" ST/90 3/8" HOSE	2	Z38-R2-96-S9
11	1/4" X 3/8" MALE/MALE ADAPTOR	1	Z01-6-04-06
12	1/4" DOWTY WASHER	1	Z01-04-01
13	DOOR RAM	1	Z01-01-AW25

TANCO MIXER-FEEDER
CHAIN DRIVE ASSEMBLY



TANCO MUEL MINER
HYDRAULIC COMPONENTS



500-1000-1000

**TANCO MEAL MIXER
HYDRAULIC COMPONENT ASSY
PARTS LIST**

WI65-MAN3

ITEM NO	DESCRIPTION	QTY	PART NO
1	M16 X 50 HEX SET	4	Z26-124S
2	M16 LOCKNUT	4	Z23-16
3	FLANGE BEARING 2" UCF 211E-32	1	Z06-49
4	1" PITCH B.S SPROCKET 45T 2" BORE	1	Z06-I60-045
5	5/8" SQ KEY X 45 LONG	1	WM55-KS-58
6	LOCKING COLLAR	2	WI60-090
7	10mm SPRING WASHER	2	Z12-02-10
8	M10 X 25 HEX SET	2	Z26-0611S
9	1" PITCH B.S CHAIN 57 PITCHES	1	Z09-I65S
	INCLUDING: OFF SET LINK	1	Z09-I60-001
	JOINER LINK	1	Z09-I60-002
10	CHAIN GUARD	1	WI65-CG
11	HYDRAULIC MOTOR 304cc	1	Z01-02-RF200
12	M12 LOCKNUT	4	Z23-12
13	MOTOR MOUNTING	1	WI65-MM
14	M12 X 80 HEX SET	2	Z26-0901S
15	M12 HEX NUT	2	Z18-12
16	M12 X 50 HEX SET	4	Z26-086S
17	12mm FLAT WASHER	5	Z10-02-12
18	12mm SPRING WASHER	5	Z12-02-12
19	M12 X 40 HEX SET	4	Z26-084S
20	INNER SPACER	1	WI65-48
21	1" PITCH BS SPROCKET - 11T 1 1/4" BORE	1	Z06-I60-047S
22	OUTER SPACER	1	WI65-49
23	5/16 MOTOR KEY	1	Z29-69
24	3/8" UNC X 1" LONG HEX BOLT	1	Z27-223S
25	M12 X 25 HEX SET	1	Z26-081S